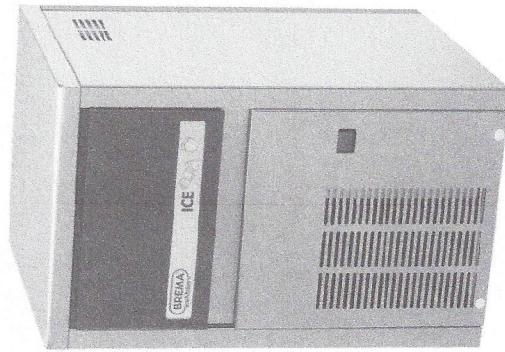




**CB 184**



# LIST OF THE EXPLODED VIEWS



SHELL - ABS

SHELL - STAINLESS STEEL

COOLING SYSTEM

HYDRAULIC CIRCUIT

SPRAYER PUMP

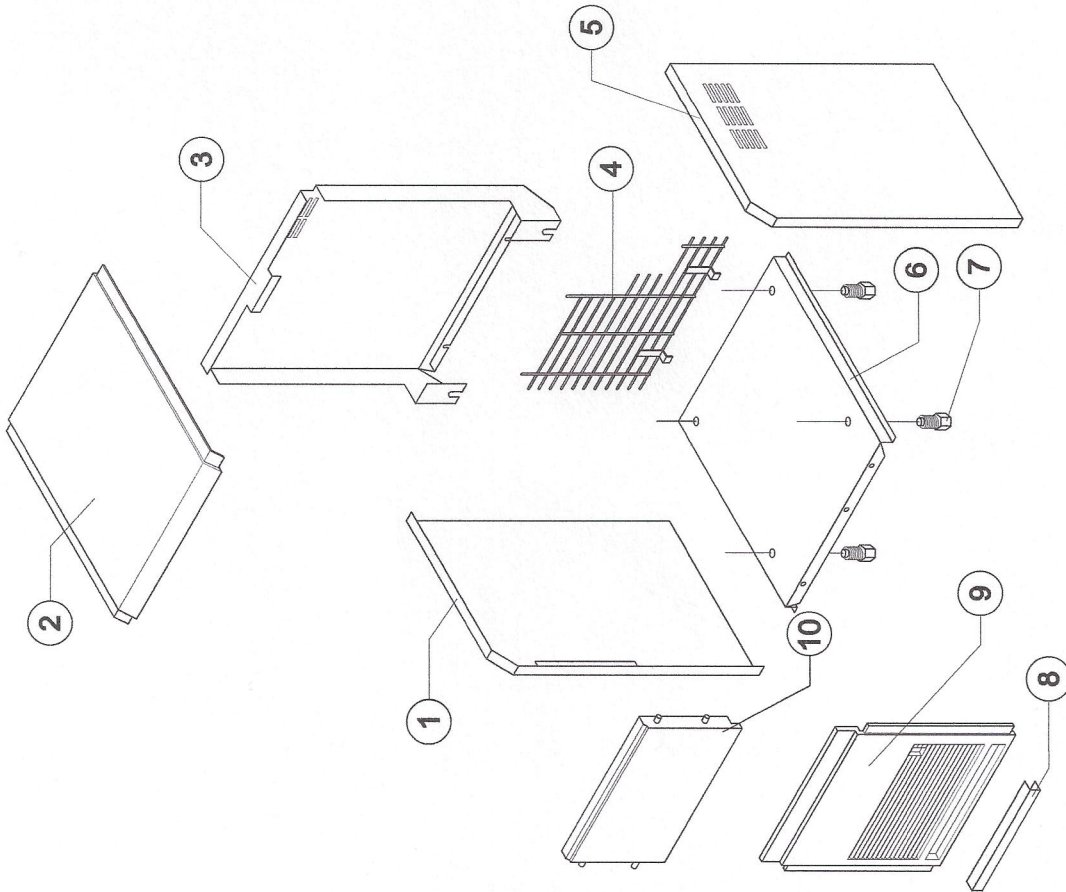
ELECTRIC PARTS

Rev. 11 - 11/05/2011

Panels - Blue Version	
Ref.	Spare Description
1	Left Side Panel
2	Top
5	Right Side Panel
8	Screws Cover
9	Front Grid Panel
10	Door

Panels - Grey Version	
Ref.	Spare Description
1	Left Side Panel
2	Top
5	Right Side Panel
8	Screws Cover
9	Front Grid Panel
10	Door

Common Finishes	
Ref.	Spare Description
3	Rear Panel
4	Rear Grid
6	Base Plate
7	Foot



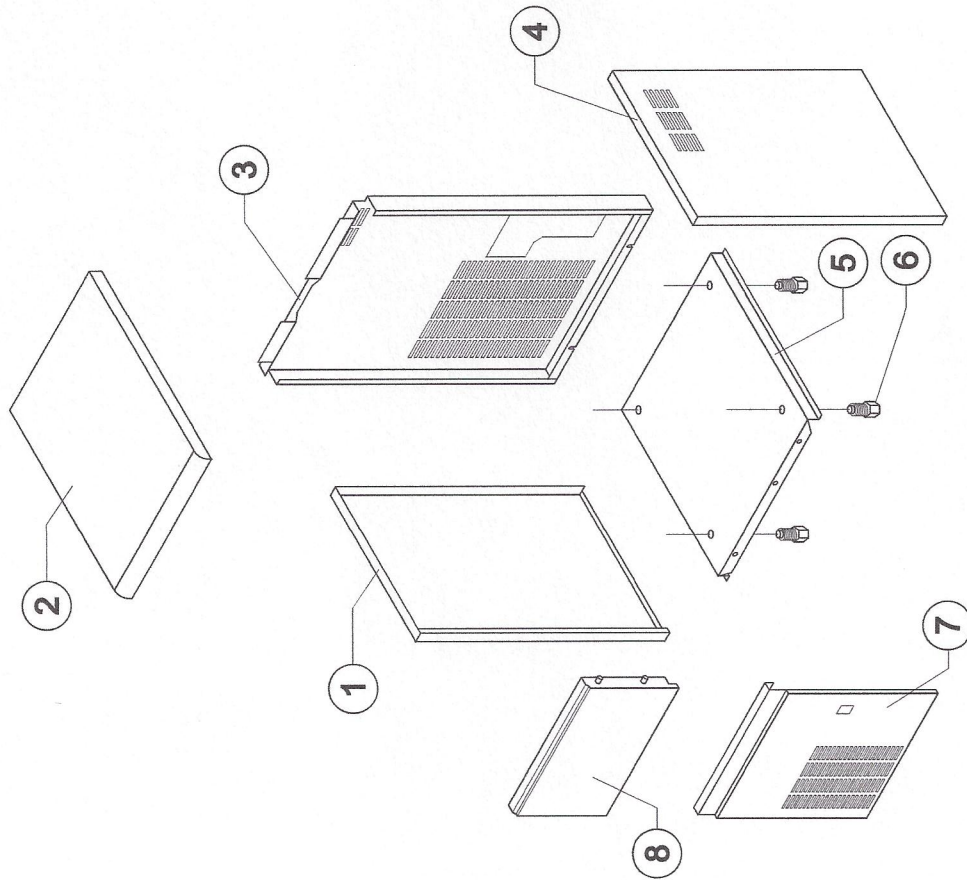
Rev. 11 - 11/05/2011



**Cool**  
**DISCOUNT**

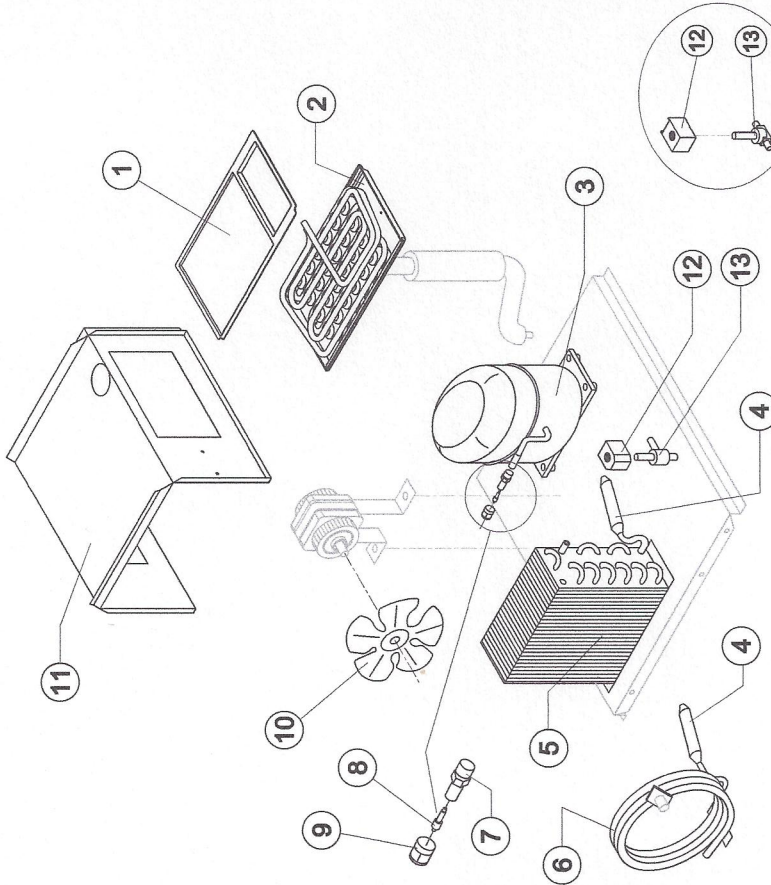
**CB 184**

# SHELL - STAINLESS STEEL



Ref.	Spare Description	Code
1	Left Side Panel	22713
2	Top	C22714
3	Rear Panel	21235
4	Right Side Panel	22712
5	Base Plate	21062
6	Foot	10017
7	Front Grid Panel	Current Version 221070
7	Front Grid Panel	Till s/n. 385216 22700
8	Dark Grey Door	10277

Rev. 11 - 11/05/2011



Rev. 11 - 11/05/2011

### Common Parts

Ref.	Spare Description	Code
1	Evaporator Cover Panel	10498
1	Evaporator Cover Panel	10076
2	Evaporator	D10079
3	Compressor	See Table
4*	Molecular Drier	14009
7	Vacuum-Charge Valve Body	14007
8*	Vacuum-Charge Valve Device	14005
9*	Vacuum-Charge Valve Plug	14006
11	Bin Support Saddle	22095
12*	Hot Gas Valve Coil	See Table
13*	Hot Gas Valve Body	20853
13	Hot Gas Valve Body	20410

### Parts for Air-Cooled Version Only

Ref.	Spare Description	Code
5	Air Condenser	20094
10	Sucking Fan	20095

### Parts for Water-Cooled Version Only

Ref.	Spare Description	Code
6	Water Condenser	14593
6	Water Condenser	14348
10	Sucking Fan	10213

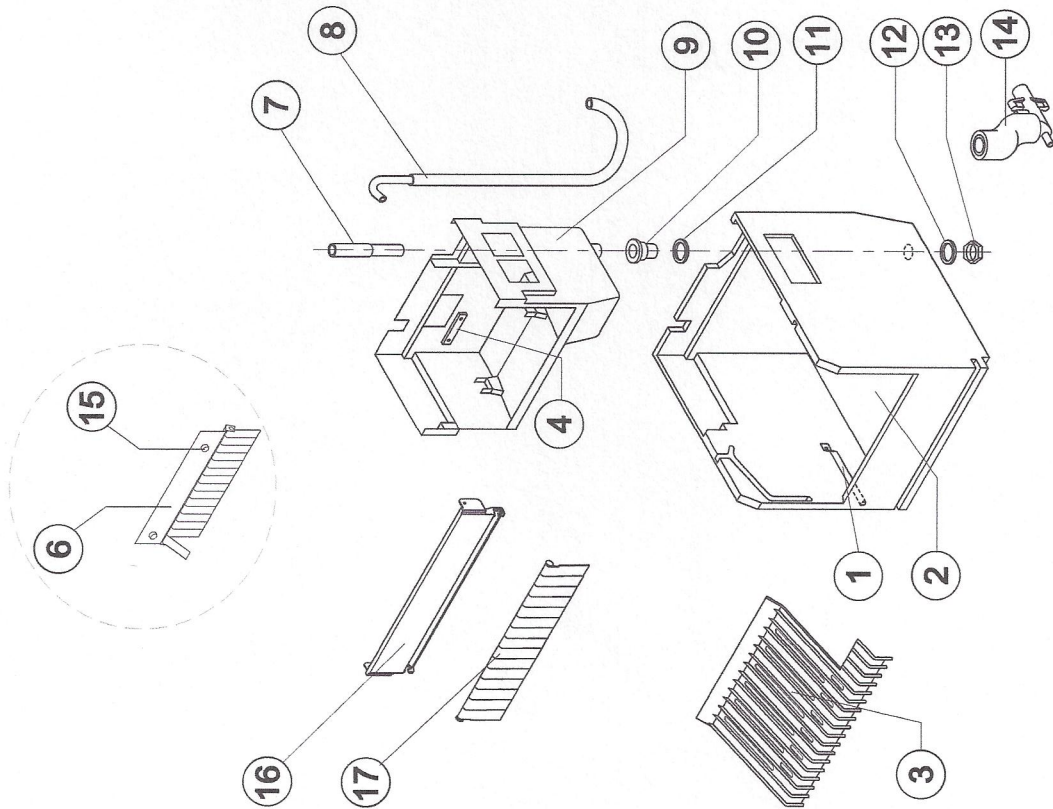
Till s/n. 370994

Ref. 3 - Compressor Voltage	Code	Current Version	Till s/n. 416883
T11	23886	23436	
T12	23494	23494	
T13	23446	23446	
T19	23446	23446	

Ref. 12* - Hot Gas Valve Coil Voltage	Code	Current Version	Till s/n. 370994
T11	23854	23854	23091
T12	23854	23854	23091
T13	23855	23855	23256
T19	23855	23855	23256



# HYDRAULIC CIRCUIT



Rev. 11 - 11/05/2011

**Common Parts**

Ref.	Spare Description	Code
1	Bulbe- holder pipe	20520
2	Foamed Bin	R11016/E
3	Ice Cubes Slide	10136
4	Slide Keep Plate	10142
6	Panel with Flags	Till s/n. 380376
7*	Overflow Pipe	13028
8*	Evaporator Feeding Pipe Assy	C20535
9	Inner Basin	10064
10	Water Outlet Nipple	10472
11	Silicone Gasket	13006
12	Semirigid Polyethylene Gasket	13007
13	Bin Discharge Nut	10096
15	Fixing Screw	20009
16	Flags ABS Support	10530
17	Flags with Rod	C10532

**Parts for Air-Cooled Version Only**

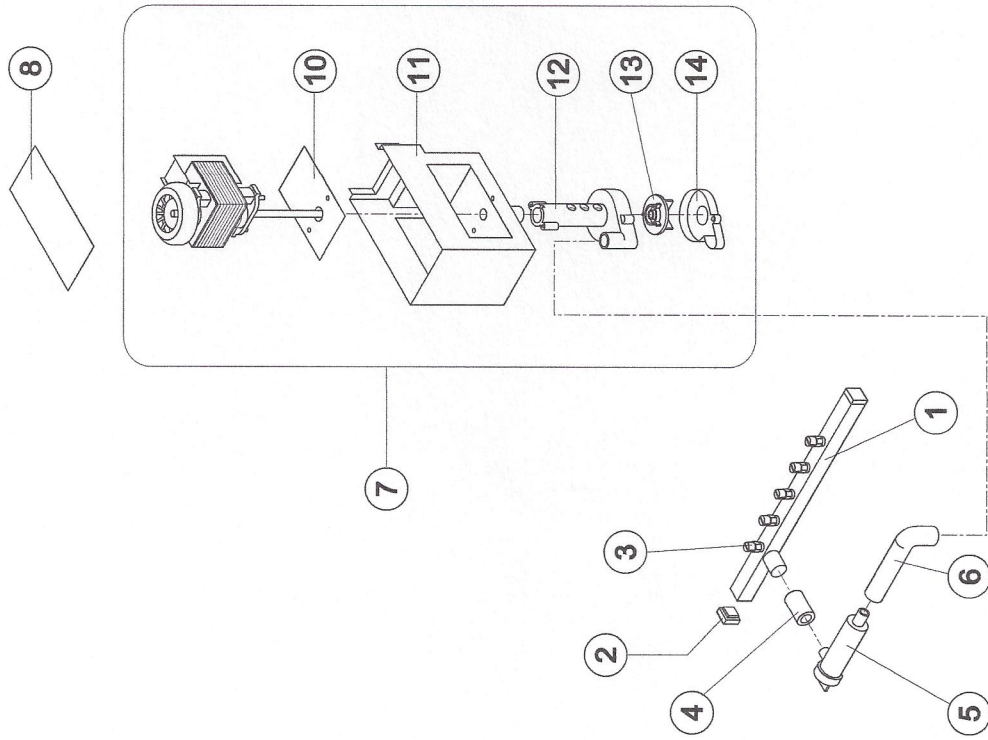
Ref.	Spare Description	Code
14	Discharges Manifold	C10006

**Parts for Water-Cooled Version Only**

Ref.	Spare Description	Code
14	Discharges Manifold	C26452



# SPRAYER PUMP



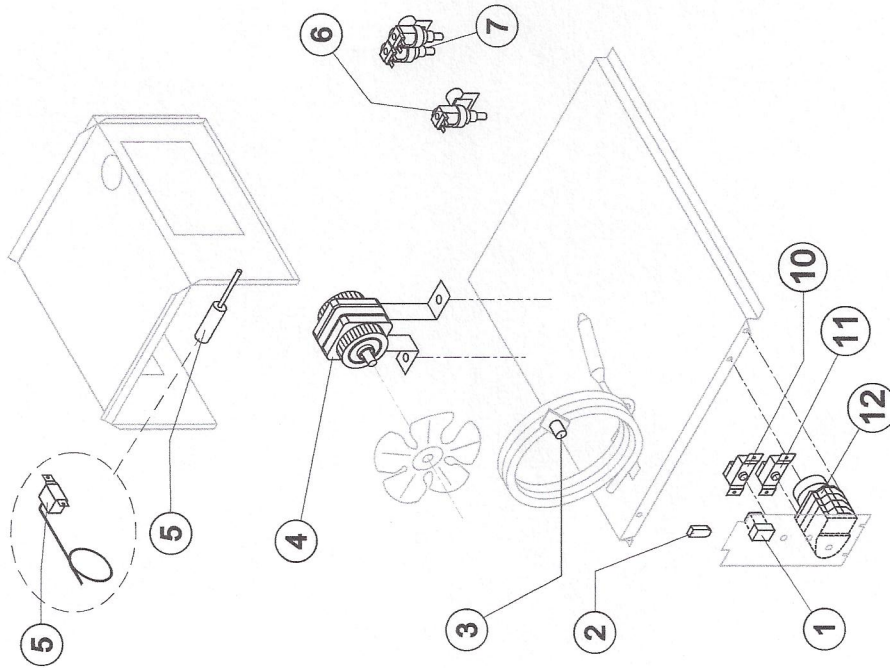
Ref.	Spare Description	Code
1*	Sprayers Bar Assembly	C20147
2	Sprayers Bar Plug	10012
3	Sprayers	D20002
4	Filter-Sprayers Bar Connection Pipe	13056
5*	Pump Filter	10139
6	Pump-Filter Connection Pipe	13055
7*	Pump Assy	-
8	Pump Cover	See Table Till s/n. 230066
10	Heat Dissipator	22096
11	Pump Motor Box	22430
12	Pump Body	10073
13	Pump Impeller	10065
14	Diffusor	10066

Ref. 7* - Pump Assy		Code
Voltage	Current	Till s/n. 416883
T11	C23858	C23076
T12	C23892	C23270
T13	C23893	C23271
T19	C23893	C23271

Rev. 11 - 11/05/2011



# ELECTRIC PARTS



**Common Parts**

Ref.	Spare Description	Code
1*	Green Light Switch (On-Off)	23327
1	Green Light Switch (On-Off)	Current Version Till s/n. 385216
10*	Bin Thermostat	23078
11*	Evaporator Thermostat	R23005
12*	Timer	R23591
	See Table	-

**Parts for Air-Cooled Version Only**

Ref.	Spare Description	Code
4*	Fan Motor	See Table
6*	1 Way- Water Inlet Valve	See Table

**Parts for Water-Cooled Version Only**

Ref.	Spare Description	Code
2	Anti Radio Interference Filter	Only T11
3*	Safety Thermostat	C23457
4	Fan Motor	C23114
5*	Condenser Pressure Switch	See Table
5	Condenser Pressure Switch	Till s/n. 370994 Current Version
7*	2 Ways- Water Inlet Valve	23906
	See Table	See Table
	See Table	-

**Ref. 4\* - Fan Motor**

Voltage	Code
T11	23029
T12	23029
T13	23683
T19	23683

**Ref. 5\* - Cond. Pressure Switch**

Voltage	Code
T11	23175
T12	23175
T13	23175
T19	23680

**Ref. 6\* - 1 Way-Water Inlet Valve**

Voltage	Code
T11	23497
T12	23497
T13	23499
T19	23499

**Ref. 7\* - 2 Ways-Water Inlet Valve**

Voltage	Code
T11	23498
T12	23498
T13	23500
T19	23500

**Ref. 12\* - Timer**

Voltage	Code
T11	23247
T12	23247
T13	23258
T19	23258